

The photograph may not match the reference exactly. Please read the product description to identify the finish.

TECHNICAL CHARACTERISTICS



Product Model:	D-202SHLED30-24	D-202SHLED50-24
IP Protection degrees:	IP66	IP66
IK Protection degrees:	IK08	IK08
Light source:	24 x LED CREE / 24 x LUXEON 5050	
Total power consumption:	30W	50W
Luminous Flux:	3600-4050Lm	6000-6750Lm
Luminous efficiency:	120-135Lm/w	
Color temperature:	4000K as standard. Optimal 2700K, 3000K & 5700K. Amber LED available	
Voltage/Frequency:	100-240V/50-60Hz	
Warranty(Years):	5	
Units per box:	1	
Net Weight(Kg)	6.9	6.9
Aerodynamic resistance (CxS)	0.101	

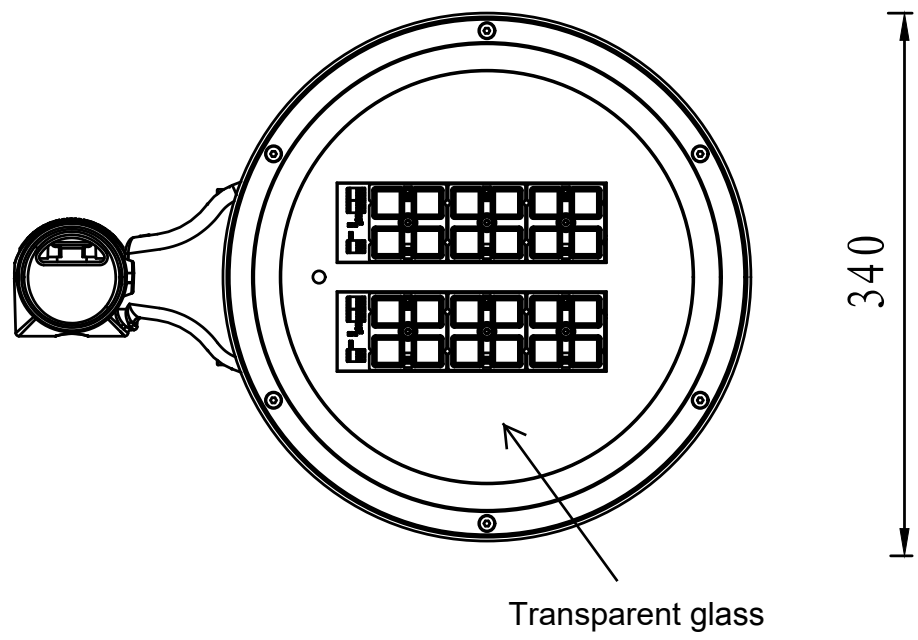
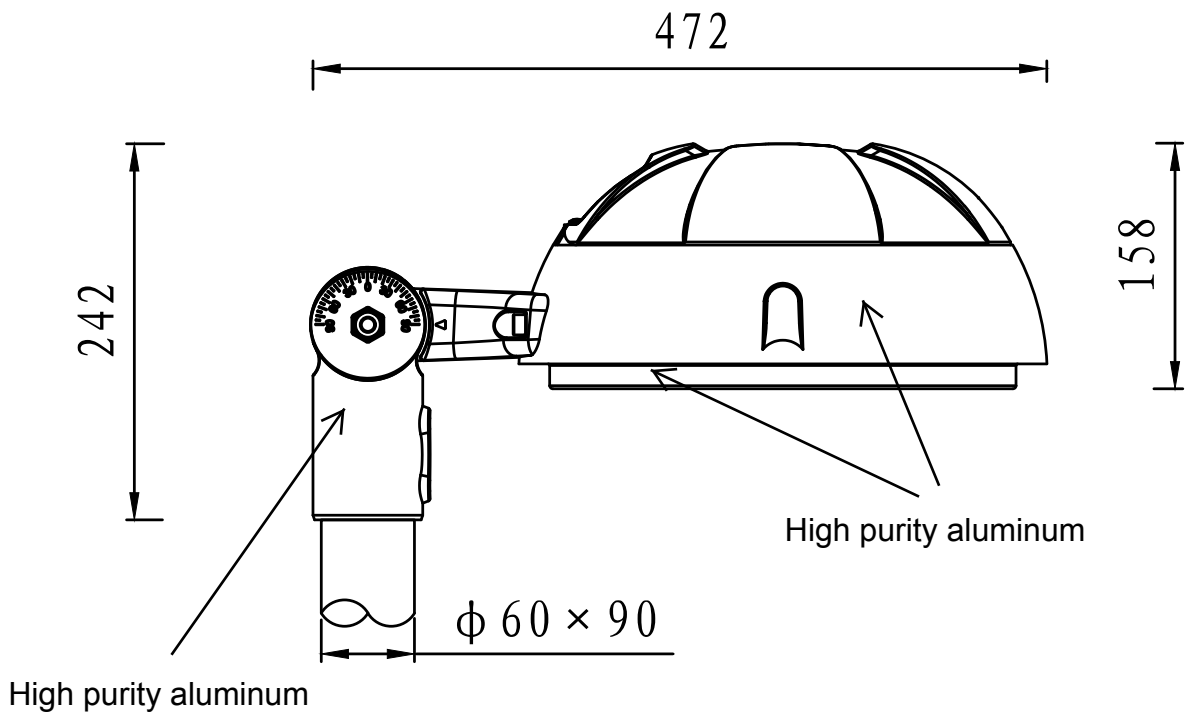
MATERIALS / FINISHES

Structure material: High purity aluminium	Aiffuser material: Glass
Structure finish: Silver	Diffuser finish: Transparent

GEAR

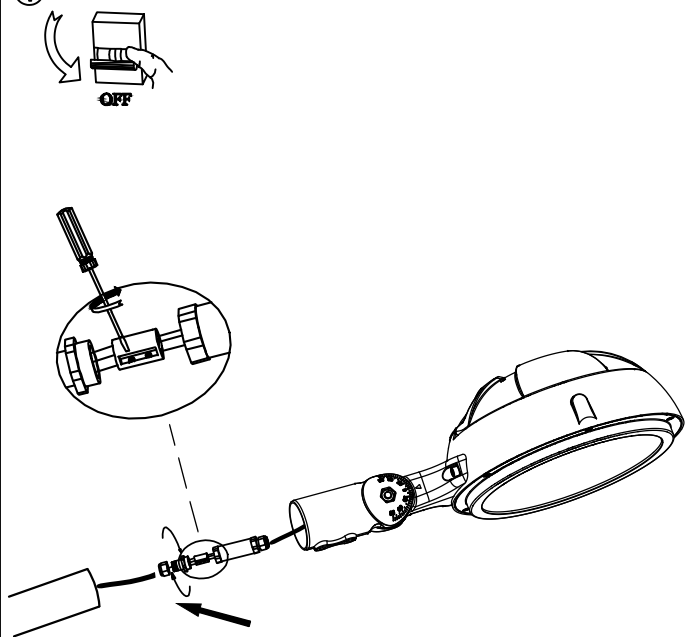
Multi-voltage electronic gear included (100-240 V / 50-60 Hz)

Lm^(N): Nominal flow of light in actual working conditions. Its actual flow will depend on the environmental conditions and the efficiency of the optics and/or diffuser.

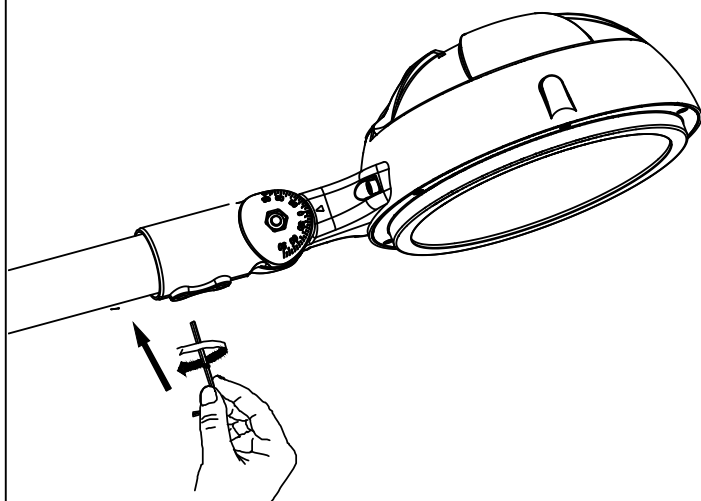


OUTDOOR

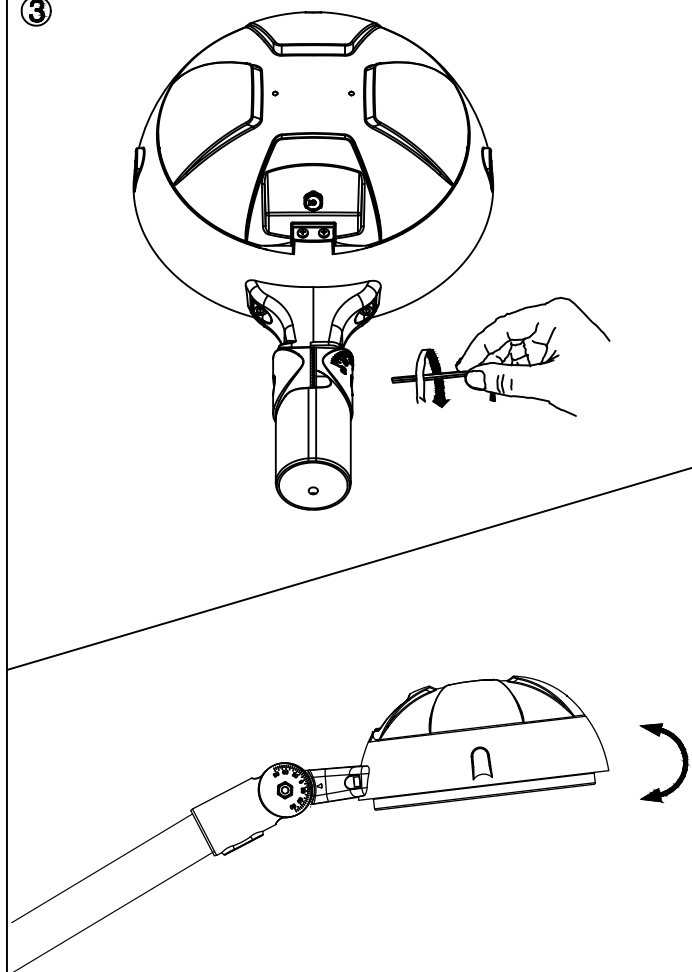
①



②



③



④

