

**KLED**

# T-190 Serious

/ 30W-75W /



## **Urban lighting**

A Classic Residential Lighting  
with Mediterranean style

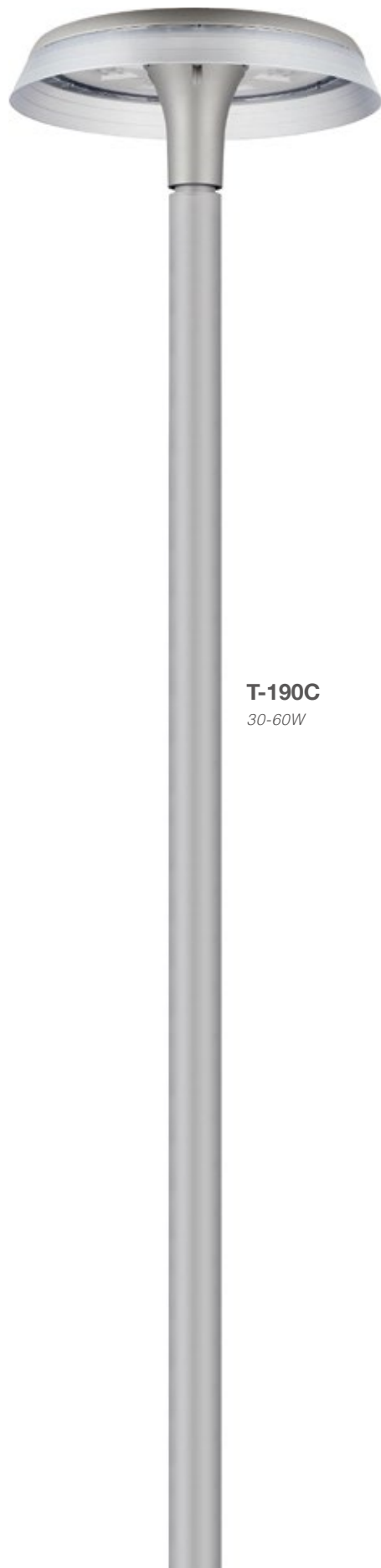




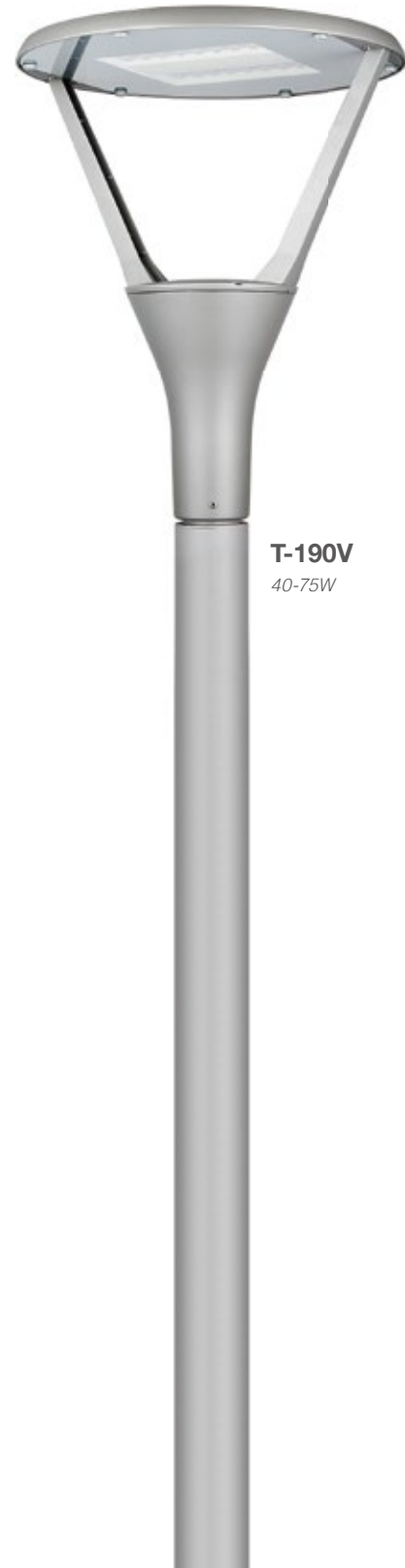




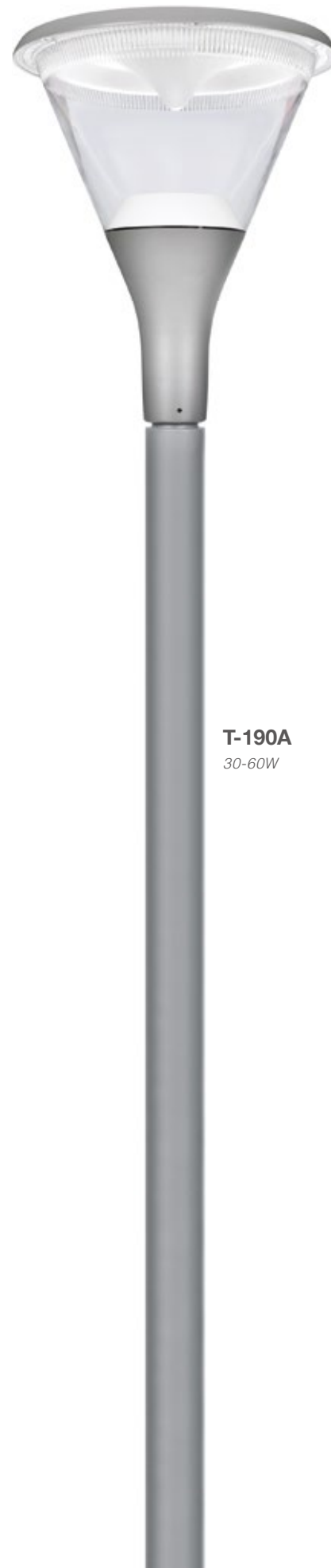
**T-190B**  
30-60W



**T-190C**  
30-60W



**T-190V**  
40-75W



**T-190A**  
30-60W

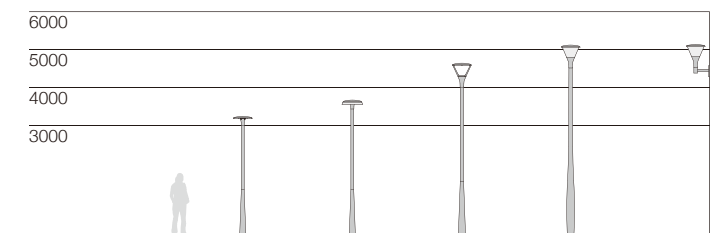


**T-190N**  
40-60W



突发的灵感，整体的构思，借助于设计师专业的对光应用的智慧，造就了本系列LED庭院灯具的传奇。将光的舒适性和光亮度的技术融合，全都诠释在该系列灯具之中。

The sudden inspiration, overall idea, with the help of the designer's professional wisdom of light application, has created the legend of this series of LED courtyard lighting. From the light comfort and brightness of different understanding, all interpretation in it.



T-190B



360度圆周发光 / 360° distribution light



雾状扩散罩 / Flog diffuser



T-190C



增加雾状透明罩，有效防止眩光  
New add flog diffuser to light more smooth.



T-190A



光线从底部向上投射，通过上反射罩把光线均匀照射路面 —— 光线更柔和

Light from bottom to up, The light is projected upward from the bottom, through the upper reflector to illuminate — Light more smooth.

T-190N



光线直接从上面直接向下照明 —— 光效更高

Light goes straight down from upper — Higher light efficiency.



# T-190 Series

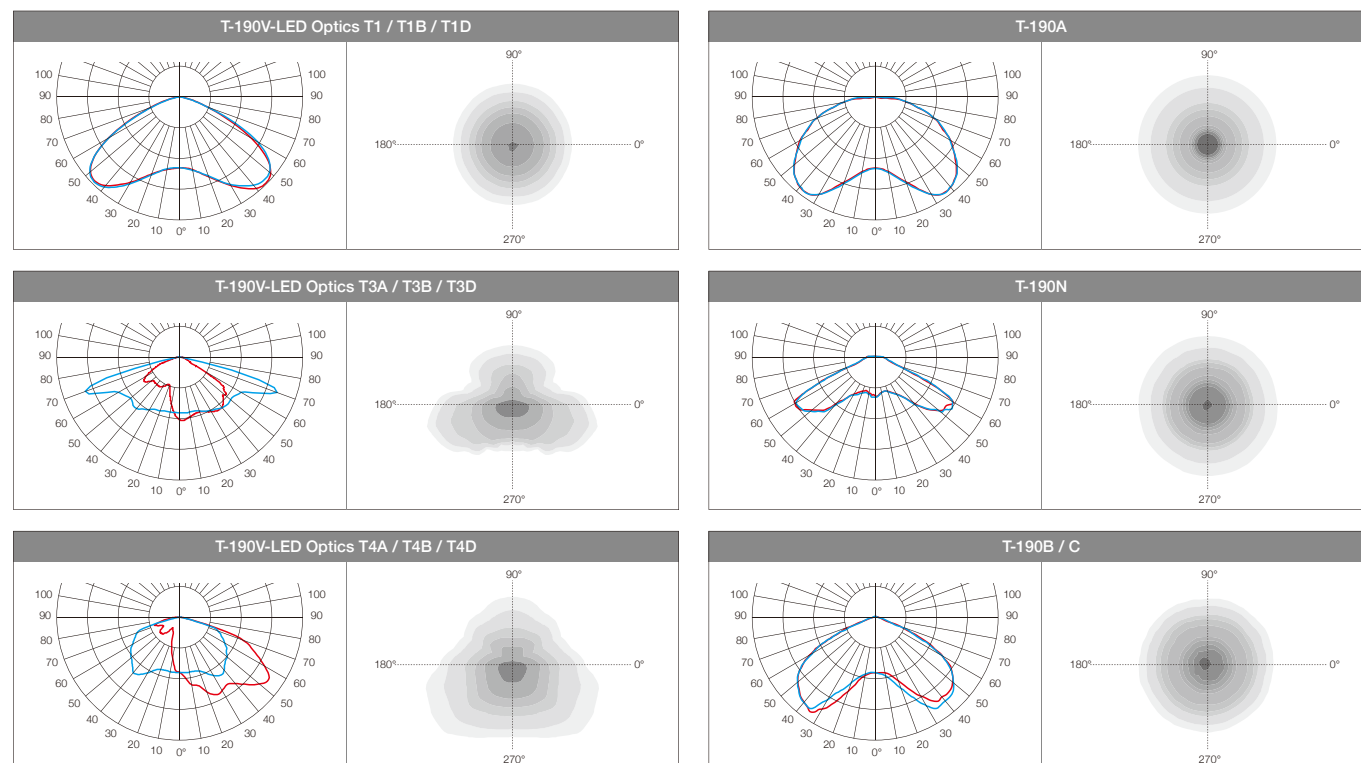
## 简述 Description



- 铝压铸灯体外壳，超白钢化玻璃
- 高透光PC透镜，具有高视觉舒适性和均匀配光透镜，供多种不同配光选择
- 高性能LED芯片，驱动有0-10V / DALI / 编程电源选择，20KV浪涌保护器
- 有多种安装支架供选择搭配，形成多款不同外形灯具，安装管径有 $\varnothing 60 / \varnothing 76\text{mm}$
- 根据不同客户对光的需要，有光直射和间接反射供选择
- 防紫外线聚氨酯粉末喷涂表面，盐雾测试可以达1000小时以上
- 无生物蓝光危害风险，符合EN62471: 2008标准
- 道路灯智能远程控制系统可选，可以与远程管理系统兼容
- 所有外部螺钉均为304不锈钢材质

- Die-casting aluminium body, super white tempered glass. Anti aging PC plastic diffuser.
- Optics with PC lens with high visual comfortable and uniform lighting distribution, multiple light distribution options.
- High quality LED chips, Driver with 0-10V/DALI/programmed be options, and with surge protection up to 20KV.
- There are a variety of mounting brackets options, form of different shapes of lighting, installation tube diameter  $\varnothing 60/\varnothing 76\text{mm}$ .
- There are direct light and indirect reflection to options for different clients demand.
- Surface anti-ultraviolet pure polyester powder painting, Corrosion resistance can be more than 1000 hours.
- No photo-biological risk, (no risk linked to infrared, blue light and UV radiation) in accordance with EN 62471:2008.
- Street lighting control used with smart control technology. It can be compatible with remote management system.
- All external screws are made of 304 stainless steel.

## 应用透镜 Optics application

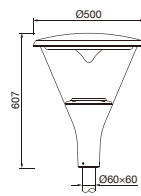


技术参数 Technology data



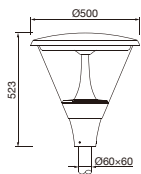
**T-190A**

Code	Power	LED Qty	Optics	Packing Size	Weight	Pcs/20"	Pcs/40"
LED chips - 3535/5050							
<b>T-190ALE30-24</b>	30W	<b>24</b>	T25A	510*510*660	9.0	132	276
<b>T-190ALE40-24</b>	40W	<b>24</b>	T25A	510*510*660	9.0	132	276
<b>T-190ALE60-24</b>	60W	<b>24</b>	T25A	510*510*660	9.0	132	276



**T-190N**

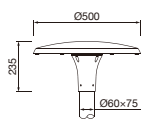
Code	Power	LED Qty	Optics	Packing Size	Weight	Pcs/20"	Pcs/40"
LED chips - 2835							
<b>T-190N1LED40-128</b>	40W	<b>128</b>	T32B	510*510*580	9.0	176	368
<b>T-190N1LED60-128</b>	60W	<b>128</b>	T32B	510*510*580	9.0	176	368



**T-190B**

Code	Power	LED Qty	Optics	Packing Size	Weight	Pcs/20"	Pcs/40"
LED chips - 3535/5050							
<b>T-190BLE40-32</b>	40W	<b>32</b>	T1/T90	570*570*285	10.0	280	560
<b>T-190BLE60-32</b>	60W	<b>32</b>	T1/T90	570*570*285	10.0	280	560

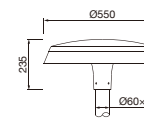
LED chips - 3030							
<b>T-190BLE30-32</b>	30W	<b>32</b>	T1/T90	570*570*285	10.0	280	560
<b>T-190BLE40-48</b>	40W	<b>48</b>	T1D/T90D	570*570*285	10.0	280	560



**T-190C**

Code	Power	LED Qty	Optics	Packing Size	Weight	Pcs/20"	Pcs/40"
LED chips - 3535/5050							
<b>T-190CLE40-32</b>	40W	<b>32</b>	T1/T90	570*570*285	10.5	280	560
<b>T-190CLE60-32</b>	60W	<b>32</b>	T1/T90	570*570*285	10.5	280	560

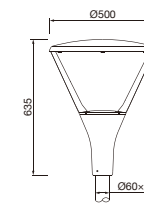
LED chips - 3030							
<b>T-190CLE30-32</b>	30W	<b>32</b>	T1/T90	570*570*285	10.5	280	560
<b>T-190CLE40-48</b>	40W	<b>48</b>	T1D/T90D	570*570*285	10.5	280	560



**T-190V**

Code	Power	LED Qty	Optics	Packing Size	Weight	Pcs/20"	Pcs/40"
LED chips - 3535/5050							
<b>T-190VLED40-16</b> <span style="border: 1px solid blue; padding: 0 2px;">A5</span>	40W	<b>16</b>	T1/T3A/T4A	510*510*405	11.6	220	460
<b>T-190VLED60-32</b> <span style="border: 1px solid blue; padding: 0 2px;">A3</span>	60W	<b>32</b>	T1/T3A/T4A	510*510*405	11.6	220	460

LED chips - 3030							
<b>T-190VLED40-56</b> <span style="border: 1px solid blue; padding: 0 2px;">B5</span>	40W	<b>56</b>	T1B/T3B/T4B	510*510*405	11.6	220	460
<b>T-190VLED75-112</b> <span style="border: 1px solid blue; padding: 0 2px;">B3</span>	75W	<b>112</b>	T1B/T3B/T4B	510*510*405	11.6	220	460



可选配件 Accessories options

	Code
Ø60-76转接头 Pole reducer Required for install on the pole.	<b>210001465</b>
壁装支架 Wall bracket	<b>220001236</b>





— King-Bridge Lighting —



宁波金羽桥照明科技有限公司

NING KING-BRIDGE LIGHTING TECHNOLOGY CO.,LTD.

---

地址：浙江省余姚市阳明街道新桥工业区

Add: Xinqiao Industry Zone, Yangming Street, Yuyao City, Zhejiang Province, China

Tel: +86-574-6256 6890

Fax: +86-574-6256 6827

info@kled.com

---

国内营销中心：金羽桥照明科技（上海）有限公司

地址：上海市长宁区中山西路179号4K室

电话：189 1897 7928