



自然万物
MADE IN

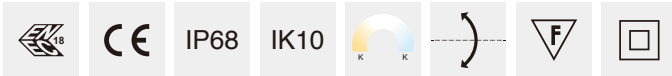
3F-ICIC



M-213
10W



简述 Description



- 304不锈钢面板和预埋件底座，铝氧化灯体结构
- 超厚15mm钢化丝印玻璃，静态可承载超过5000kg
- 灯具模组投射角度可调，具有很好的光学视觉效果
- 插入式安装设计模式，无任何外露灯具安装部件
- 灯具表面耐油、防水设计，使用安全可靠
- 灯具表面最高温度不超过50℃，安全可靠
- 所有外部螺钉均为304不锈钢材质
- 灯具符合EN60598-1技术标准要求

- Stainless steel type 304 body and installation housing, Pure aluminium construction fixture body.
- Clear tempered glass 15 mm, the static load of the luminaire can resistance 5000kg.
- The lighting module has tilt adjustable system, and it has high performance optics.
- Snap in installation with no exposed hardware, and the luminaire can continuous run of standard lengths.
- Supplied with oil and water resistant, it is safety and reliable for using.
- The maximum surface temperature of all contact temperature <50°C for safety and reliable.
- All external screw are made of 304 stainless steel.
- The luminaire technical characteristics conform to EN 60598-1 standards.

- **应用场合:** 广场、建筑物、雕塑、标志物、广告牌等景观照明场所
- **Applications:** For landscape lighting places such as square, buildings, sculptures, signs and billboards.

功率: 10W
光效: 70-85 Lm/W (Ra80)
色温: 2700K / 3000K / 4000K
输入电压: DC 24V
功能选项: Switch

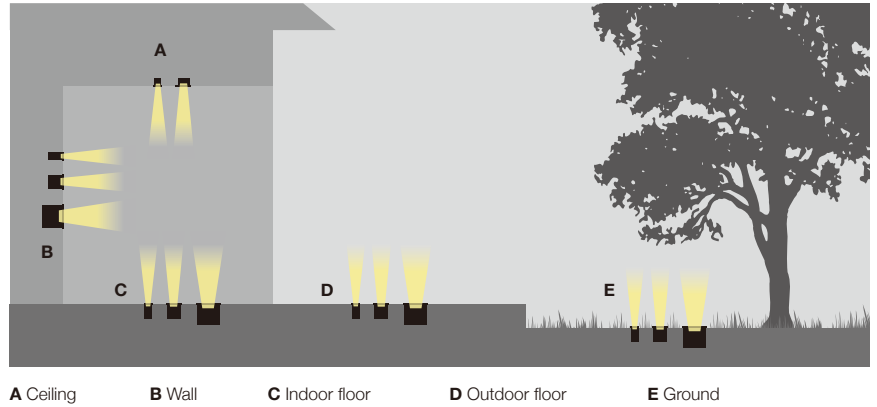
Power: 10W
Nominal efficacy: 70-85 Lm/W (Ra80)
CCT: 2700K / 3000K / 4000K
Input voltage: DC 24V
Options: Switch

M-213

安装应用 Installation

灯具可适用于地板、墙面、地面和吸顶多种安装场地应用

Installation in floor / wall / ground / ceiling,
Multiple applications for formal continuity.



安全性能 Safety performance

装在地面或地板的嵌入式灯具符合标准防滑和抗压要求，触碰灯具表面温度控制在安全标准之内

Ground and floor level recessed luminaires, have different degrees of resistance to torsion and shear, up to 5000 Kg in accordance with EN 60598-2-13.



Temperature < 40° C



Diffuser optics versions complete with non-slip glass



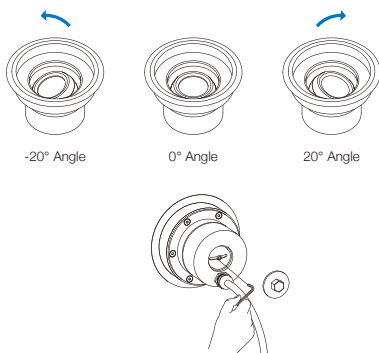
Resistance to static load (5000 Kg)

出光效果 Lighting effects

灯具采用特殊光学设计，为视觉舒适性提供最有效的照明解决方案，避免不必要的眩光并减少光污染，出光角度可调

The product apply with special design, providing the most effective lighting solution for visual comfort, avoiding unnecessary glare and reducing light pollution, the light direction adjustable.

出光角度可调
Light direction adjustable



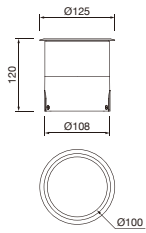
技术参数 Technology data



M-213

Code	Power	LED Qty	Control Options	Input Voltage	Optics	Packing Size	Weight
M-213LED10-1	10W	1	Switch	DC 24V	30°	415*275*275/12pcs	21.6

LED chips - 3535



安装示意图 Installation

