

The photograph may not match the reference exactly. Please read the product description to identify the finish.

TECHNICAL CHARACTERISTICS



Product Model:	D-221SLED40-32	D-221SLED60-32
IP Protection degrees:	IP66	
IK Protection degrees:	IK08	
Light source:	32 x LED CREE / 32 x LUXEON 5050	
Total power consumption:	40W	60W
Luminous Flux:	4000-6000Lm	6000-9000Lm
Luminous efficiency:	100-150Lm/w	
Color temperature:	4000K as standard. Optimal 2700K, 3000K & 5700K. Amber LED available	
Voltage/Frequency:	100-240V/50-60Hz	
Warranty(Years):	5	
Units per box:	1	
Net Weight(Kg)	6	6
Aerodynamic resistance (CxS)	0.12	

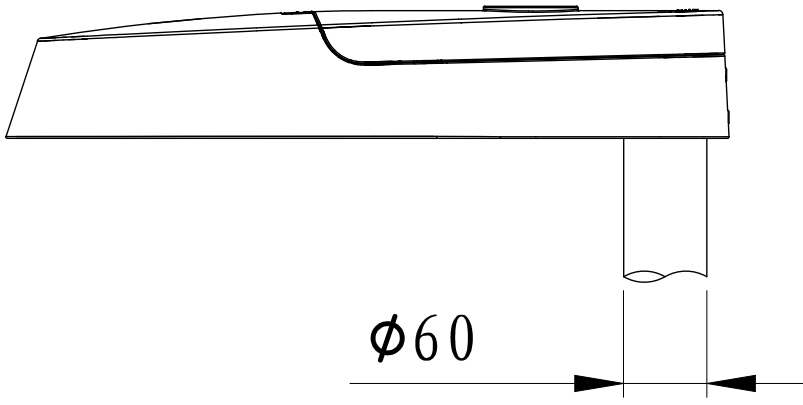
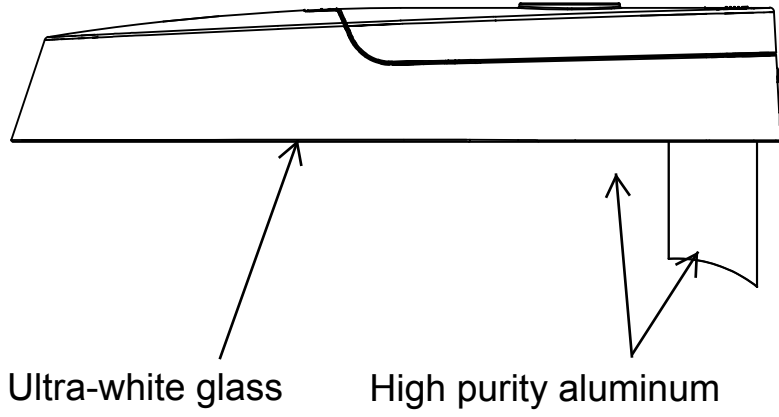
MATERIALS / FINISHES

Structure material: High purity aluminium	diffuser material: Glass
Structure finish: Silver	Diffuser finish: Transparent

GEAR

Multi-voltage electronic gear included (110-240 V / 50-60 Hz)

Lm^(N): Nominal flow of light in actual working conditions. Its actual flow will depend on the environmental conditions and the efficiency of the optics and/or diffuser.



installation template