



一体式智慧庭院灯
All-in-One Integrated Smart Column Lighting



一款智能化的柱形景观灯，使用包含预认证硬件的即插即用可旋转模块，可以根据您的特定需求进行配置。

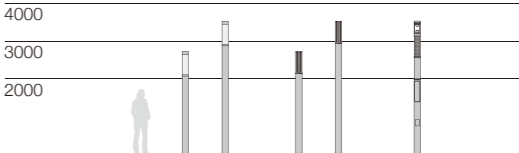
A smart column lighting is a connected, modular approach to city hardware. With plug-and-play rotatable modules that contain pre-certified hardware, it can be configured to suit your specific needs.

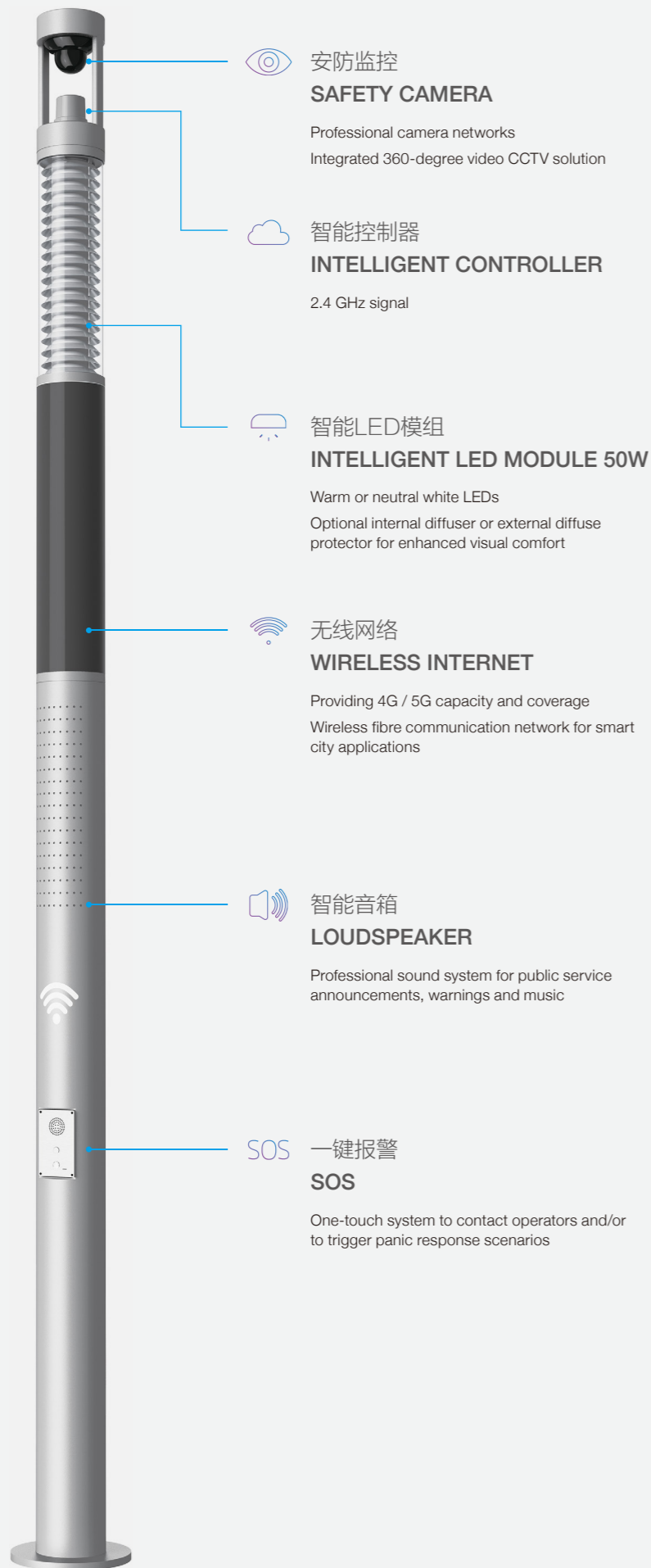


T-102
60W



T-102SM
60W





电源插座
POWER SUPPLY
Auxiliary power source
Integrated fuse

充电桩
EV CHARGING
Professional charging station
Safety locking during charging



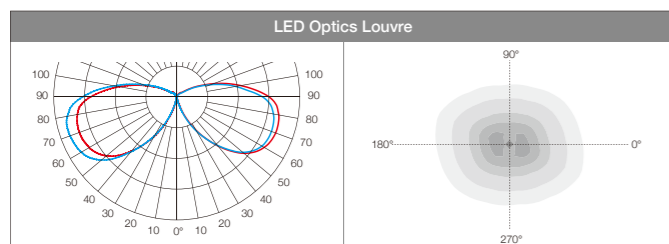
简述 Description



- 铝压铸上盖和铝合金型材灯柱，根据需要切割成不同灯杆高度，PC透明塑料罩
- 灯具中间SMD光源加扩散罩，外加防眩格栅罩，具有很高视觉舒适性
- 驱动有0-10V / DALI / 编程电源选择，20KV浪涌保护器
- 模块式电器部件，安装更换方便
- 防紫外线聚氨酯粉喷涂表面，盐雾测试可以达1000小时以上
- 无生物蓝光危害风险，符合EN62471: 2008标准
- 道路灯智能远程控制系统可选，可以与远程管理系统兼容
- 所有外部螺钉均为304不锈钢材质

- Die-casting aluminium top cover, extruded aluminium column pole, the height according to the client required, PC transparent diffuser.
- There with frosted glass and middle SMD light source with diffusion cover and anti glare rouver.
- High quality LED chips, Driver with 0-10V/DALI/programmed options, and with surge protection up to 20KV.
- LED module is used inside, Integrated electrical components which is easy to install and replace.
- Surface anti-ultraviolet pure polyester powder painting, Corrosion resistance can be more than 1000 hours.
- No photo-biological risk, (no risk linked to infrared, blue light and UV radiation) in accordance with EN 62471:2008.
- Street lighting control used with smart control technology. It can be compatible with remote management system.
- All external screws are made of 304 stainless steel.

应用透镜 Optics application



独立防水电器部件
Independent waterproof electrical components.



防水接线盒，内置保险断路器
Waterproof junction box with built-in fuse circuit breaker.

技术参数 Technology data



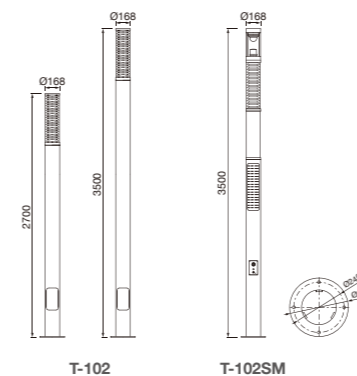
T-102

Code	Power	LED Qty	Optics	Packing Size	Weight	Pcs/20"	Pcs/40"
LED chips - 2835							
T-102LED60-576H270	60W	576	ROUVR	2750*295*295	27	98	196
T-102LED60-576H350	60W	576	ROUVR	Head: 1070*200*205 Pole: 2900*295*305	19	87	180



T-102SM

Code	Power	LED Qty	Optics	Packing Size	Weight	Pcs/20"	Pcs/40"
LED chips - 2835							
T-102SMLED60-576H350	60W	576	ROUVR	Head: 1750*200*205 Pole: 1850*295*305	22	116	246



延伸产品 More in family

SOLAR OPTIONS



TS-102
Solar Lighting: 15W.

可选配件 Accessories options

	Code
接线盒 Junction Box	230000199
基础螺杆 Anchor Bolts	250000293