

The photograph may not match the reference exactly. Please read the product description to identify the finish.

TECHNICAL CHARACTERISTICS



Product Model:	T-251ALED30-24	T-251ALED40-24	T-251ALED60-24
Optics:	T25A		
Light source:	24 x 3535/5050		
Total power consumption:	30W	40W	60W
Luminous Flux:	Up to 3300Lm	Up to 4400Lm	Up to 6600Lm
Luminous efficiency:	Up to 110 Lm/W		
Color temperature:	4000K as standard. Optimal 2700K, 3000K, 5700K. Amber LED available.		
Voltage / Frequency:	100-240V / 50-60Hz		
Warranty:	5 Years		
Packing Size:	510*510*660 mm		
Units per box:	1 Pcs		
Net Weight:	9.0 Kg		
Pcs/20":	132 Pcs		
Pcs/40":	276 Pcs		

 Lm^(N): Nominal flow of light in actual working conditions. Its actual flow will depend on the environmental conditions and the efficiency of the optics and/or diffuser.

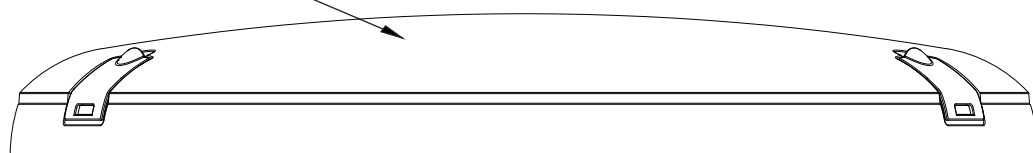
Kled reserves the right to make the necessary technical changes they deem adequate, in order to improve the features of the product. Please consult the sales team to clarify any doubt.

Tel.: +86 574 62566 890
Email: info@kled.com
Web: http://www.kled.com

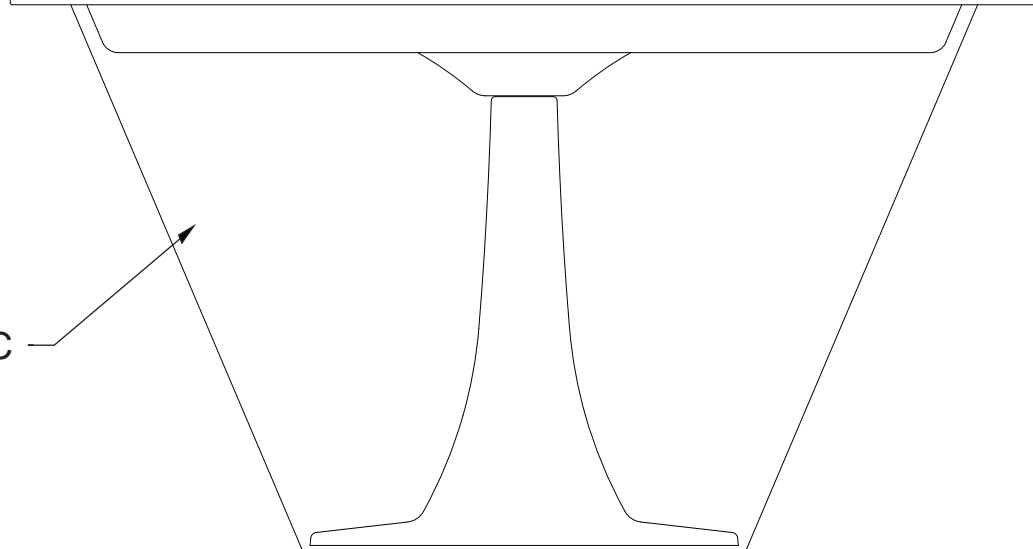
Ø500



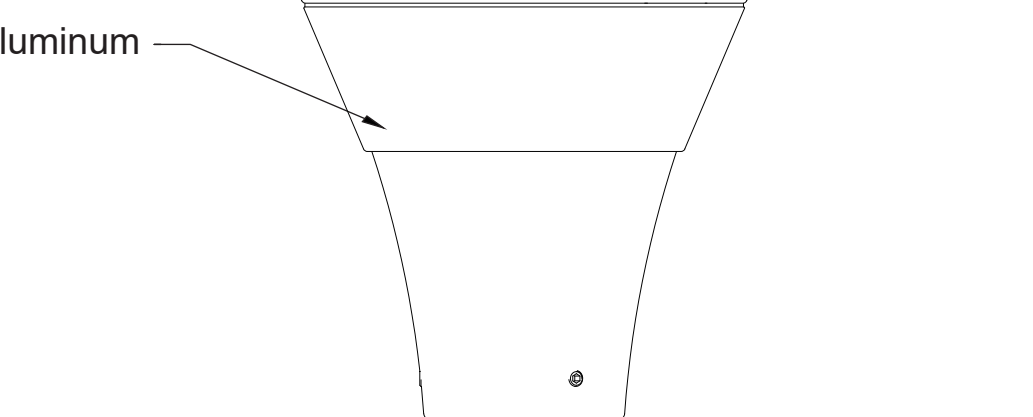
High purity aluminum



Transparent PC



High purity aluminum



530



Ø60×60

